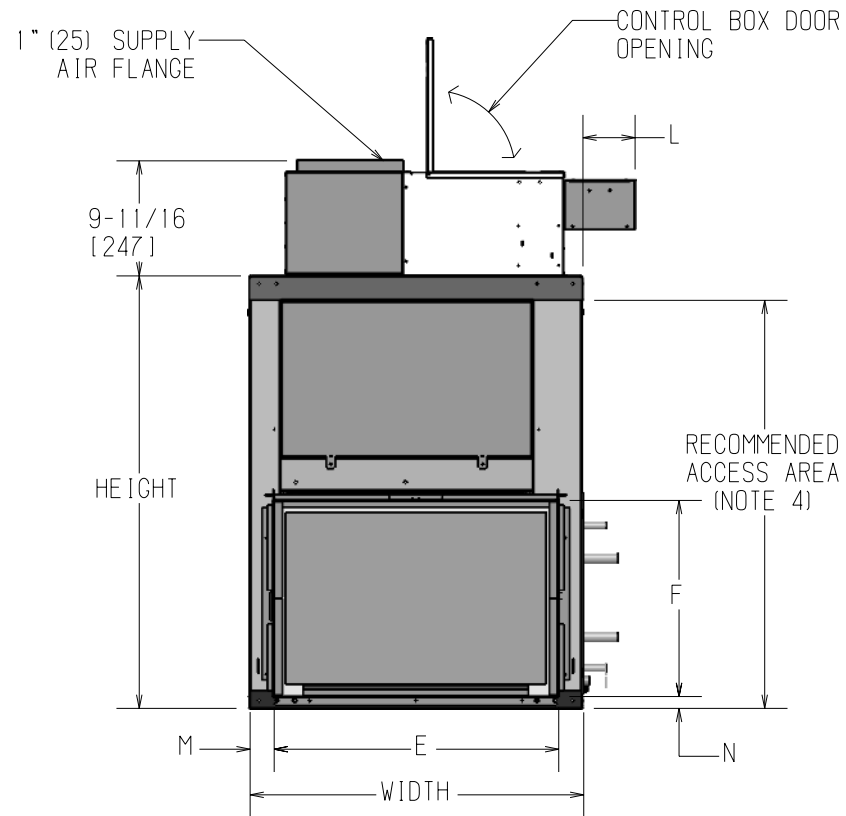
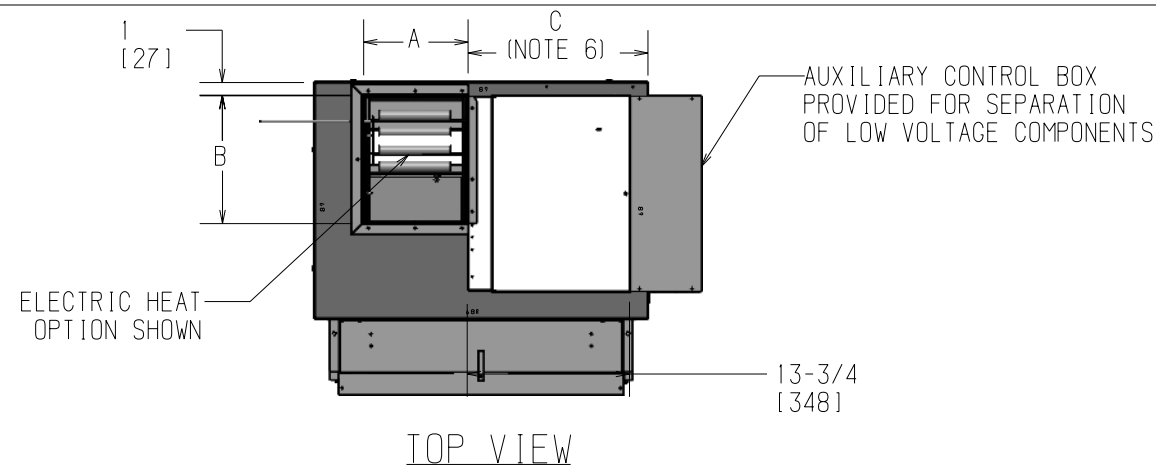
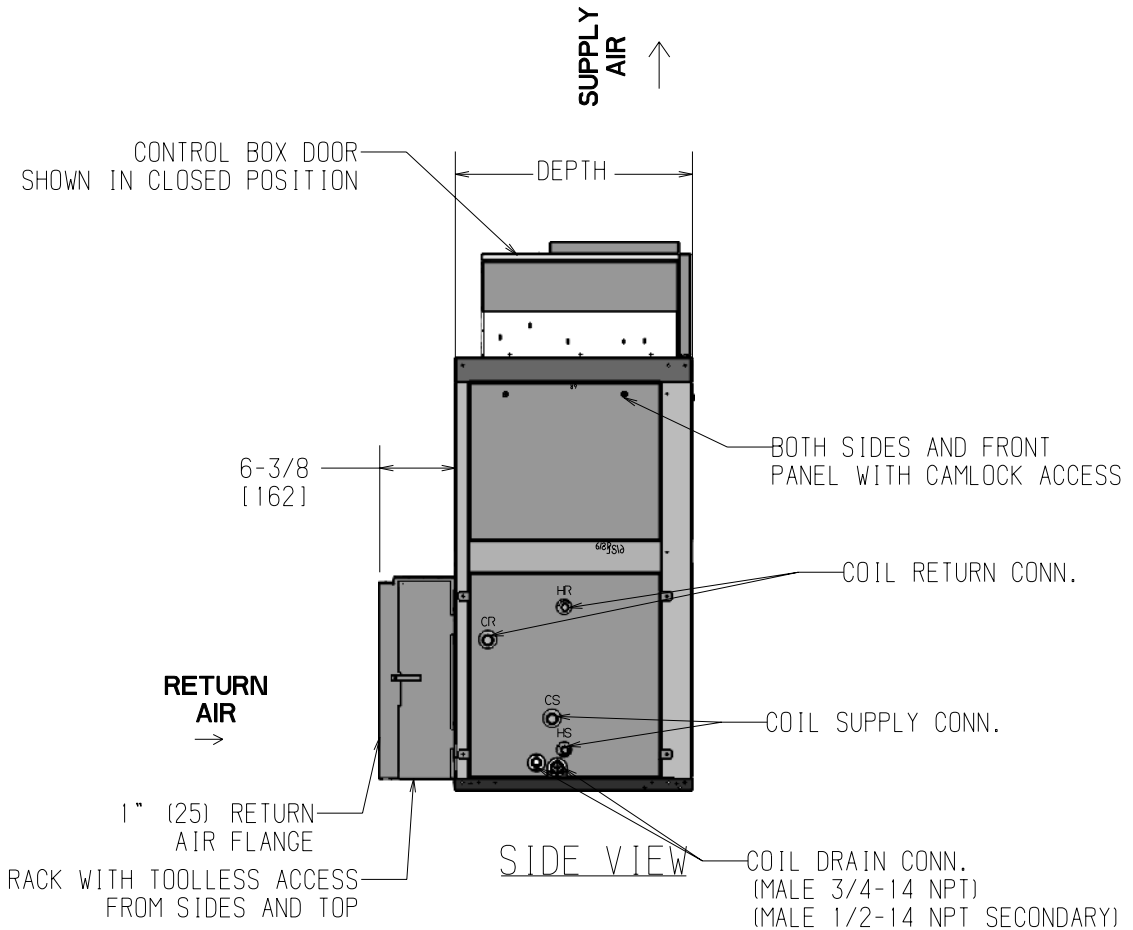


REVISION HISTORY		
REV	DATE	ECN
-	08/25/10	10-1273
A	05/15/19	19-0491
B	04/16/24	24-0350



FRONT VIEW



SIDE VIEW

- NOTES:
1. RH COIL SHOWN. LH OPPOSITE.
 2. ALL DIMENSIONS ARE +/- .25 (6). DRAWING NOT TO SCALE.
 3. DRAIN PAN REMOVAL IS ON THE PIPING SIDE OF THE UNIT.
 4. ALLOW ADEQUATE SPACING OR MANUEVERABILITY OF UNIT TO ALLOW SERVICE THROUGH RECOMMENDED ACCESS AREA.
 5. DIMENSIONS IN PARENTHESIS ARE IN MILLIMETERS.
 6. "C" DIMENSION IS MEASURED FROM COIL SIDE UNIT.
 7. MIXING BOX OPTION WILL VARY RETURN DUCT DIMENSIONS. REFER TO MIXING BOX SUBMITTAL.

SIZE	FAN SIZE	DEPTH	WIDTH	HEIGHT	SUPPLY DUCT			RETURN DUCT		AUX CTRL BOX	UNIT SIDE TO DUCT FLANGE	UNIT BOTTOM TO DUCT FLANGE
					A	B	C	E	F	L	M	N
VDY 06	9X6	20 (508)	28 (711)	36-1/2 (927)	8-7/8 (225)	10-7/8 (276)	15-1/8 (384)	24 (610)	16-1/2 (419)	4-1/2 (114)	2 (50)	1 (25)
VDY 08	9X6	20 (508)	28 (711)	36-1/2 (927)	8-7/8 (225)	10-7/8 (276)	15-1/8 (384)	24 (610)	16-1/2 (419)	4-1/2 (114)	2 (50)	1 (25)
VDY 10	9X6	22 (559)	37 (940)	39-3/8 (1000)	10-1/4 (260)	10-7/8 (276)	21-1/2 (546)	33 (838)	18-1/4 (464)	0 (0)	2 (50)	1 (25)
VDY 12	9X6	22 (559)	37 (940)	39-3/8 (1000)	10-1/4 (260)	10-7/8 (276)	21-1/2 (546)	33 (838)	18-1/4 (464)	0 (0)	2 (50)	1 (25)
VDY 16	10X7	22 (559)	47 (1194)	39-3/8 (1000)	13 (330)	12 (305)	16-5/8 (422)	43 (1092)	18-1/4 (464)	1-1/4 (32)	2 (50)	1 (25)
VDY 20	12X9	24 (610)	48 (1219)	45-1/8 (1146)	16-1/4 (413)	13 (330)	17-1/8 (435)	44 (1118)	20-3/4 (527)	2-1/2 (64)	2 (50)	1 (25)
VDY 22												
VDY 30	15X12	28 (711)	48 (1219)	54-1/4 (1378)	16-1/4 (413)	14 (356)	16 (406)	44 (1118)	29 (737)	3-5/8 (92)	2 (50)	1 (25)



TITLE
VERTICAL DIRECT DRIVE
OPT ELEC HEAT

DWG NO	1100-90035045		REV B
DRAWN G. GENTRY	DATE 03/20/12	APPROVED J.GRAVES	DATE 03/20/12